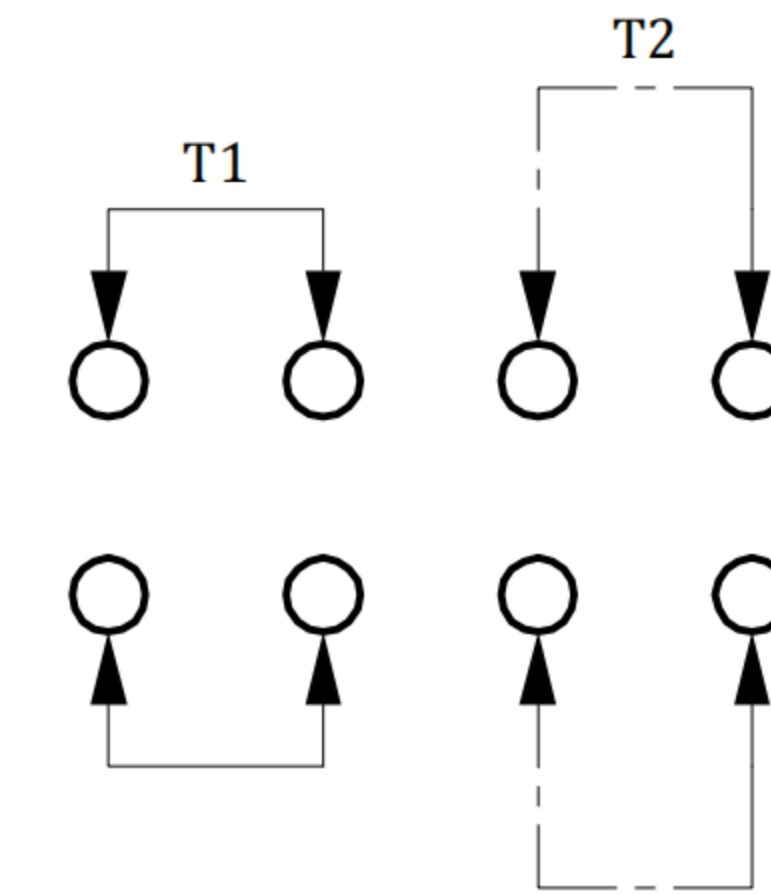
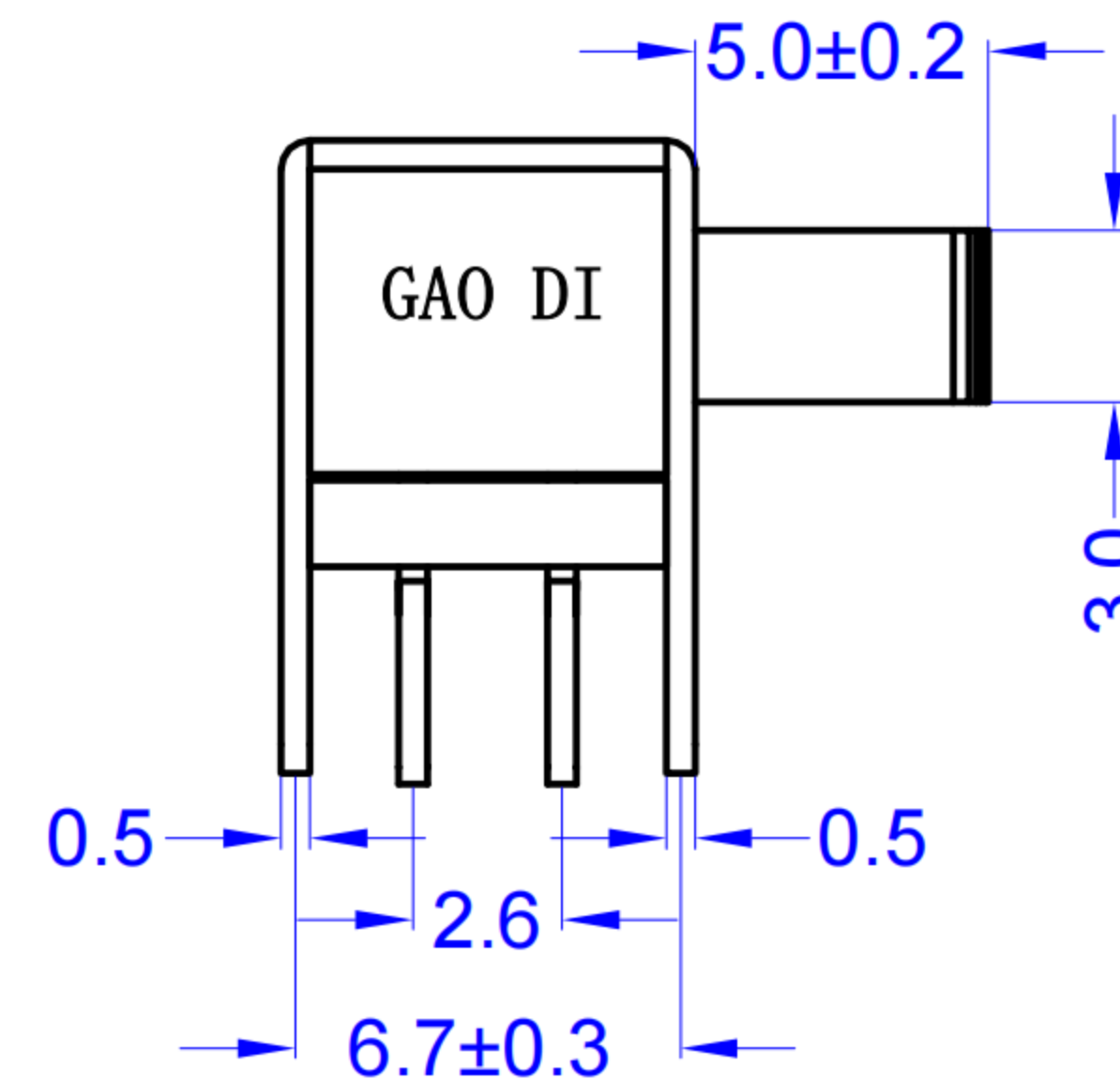
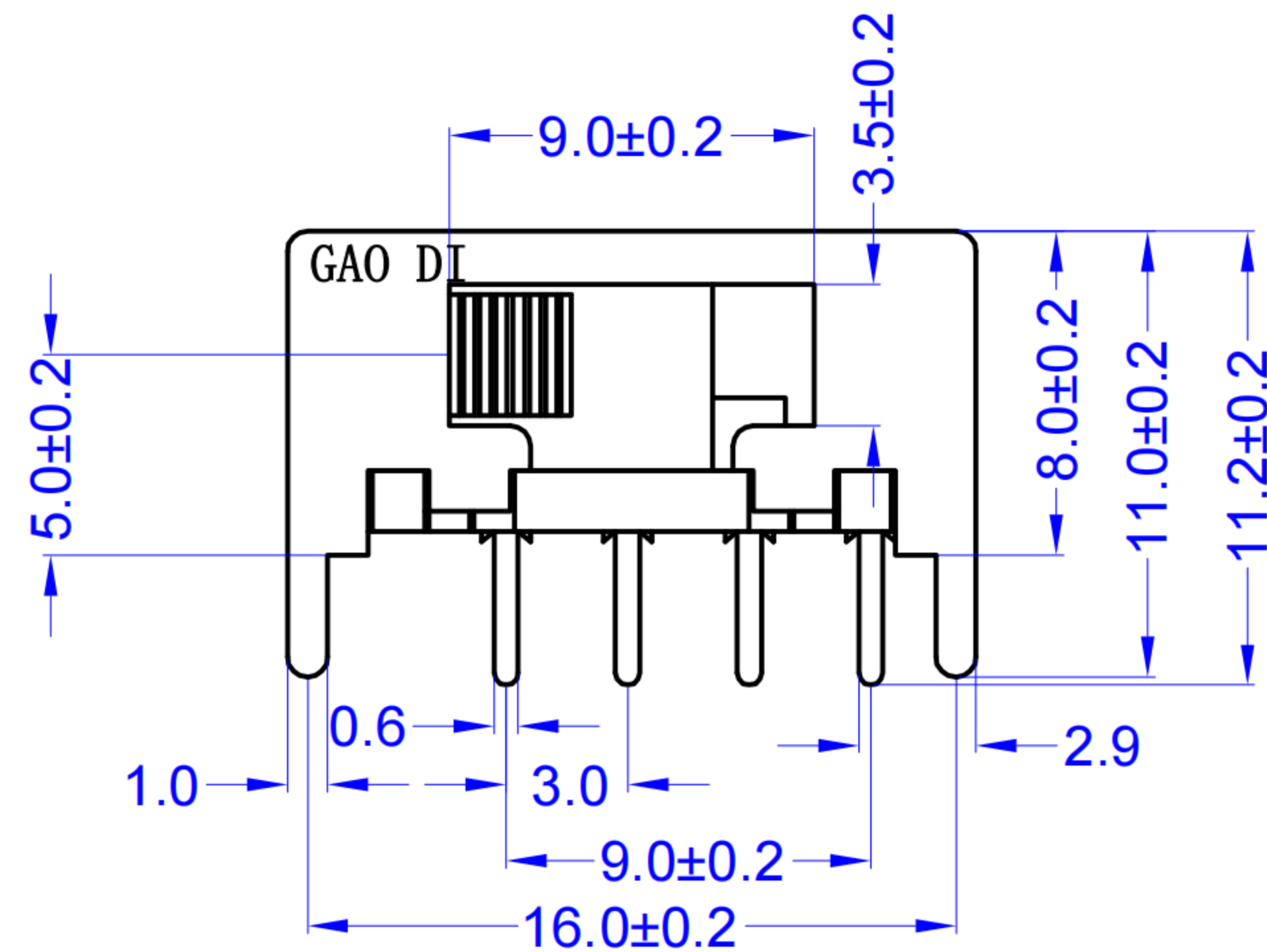


P.C.B LAYOUT



SCHEMATIC(NON-SHORTING)



1. 额定负荷: 1A 250V 3A 125V AC
2. 接触阻抗: $\leq 50\text{m}\Omega$
3. 绝缘阻抗: $\geq 100\text{m}\Omega$ DC500V
4. 耐焊温度: $250\pm 5^\circ\text{C}$
5. 使用寿命: 10,000 cycles
6. 使用温度: -25°C to 80°C
7. 使用湿度: $\leq 85\%$ RH
8. 操作力: 450gf 可
9. 手柄长度: 2mm-10mm 可定制



东莞市高迪电子有限公司
DONG GUAN GAO DI ELECTRONICS CO., LTD

TOLERANCE UNLESS OTHERWISE STATED:
Up to 5 ± 0.2
Above 5 ~ 15 ± 0.3
Above 15 ~ 30 ± 0.4
Above 30 ~ 50 ± 0.5
Angle $\pm 0.3^\circ$

3RD. ANGEL'S

UNITS MM

DRAWN BY: DATE
Ming Ming Zou 07/23/13

CHECKED BY: DATE
Ning Ning Su 07/23/13

APPROVED BY: DATE
Jia Xiang 07/23/13

MAT'L	TITLE	SWITCH SERIES
FINISH	MODLE	SLIDE SWITCH
SCALE	DWG NO.	GD-SK-H25-2211
SHEET NO.	PART NO.	
1 of 1		

2	公差及料號更新	Jack	072313
1	圖面更新	Frank Wu	021012
ITEM NO.	DESCRIPTION	DRAWN	DATE

SIZE
A4
VER
R2