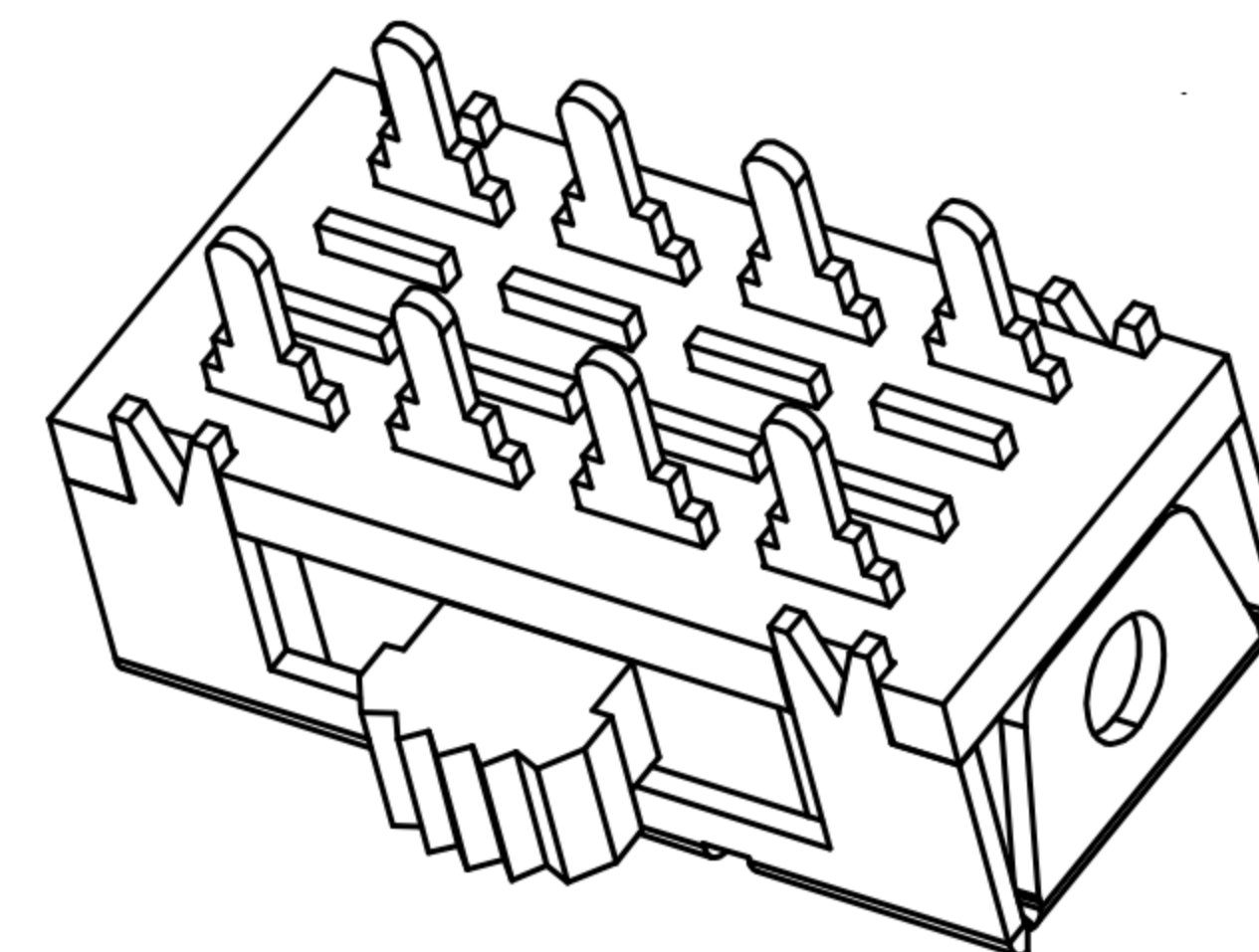
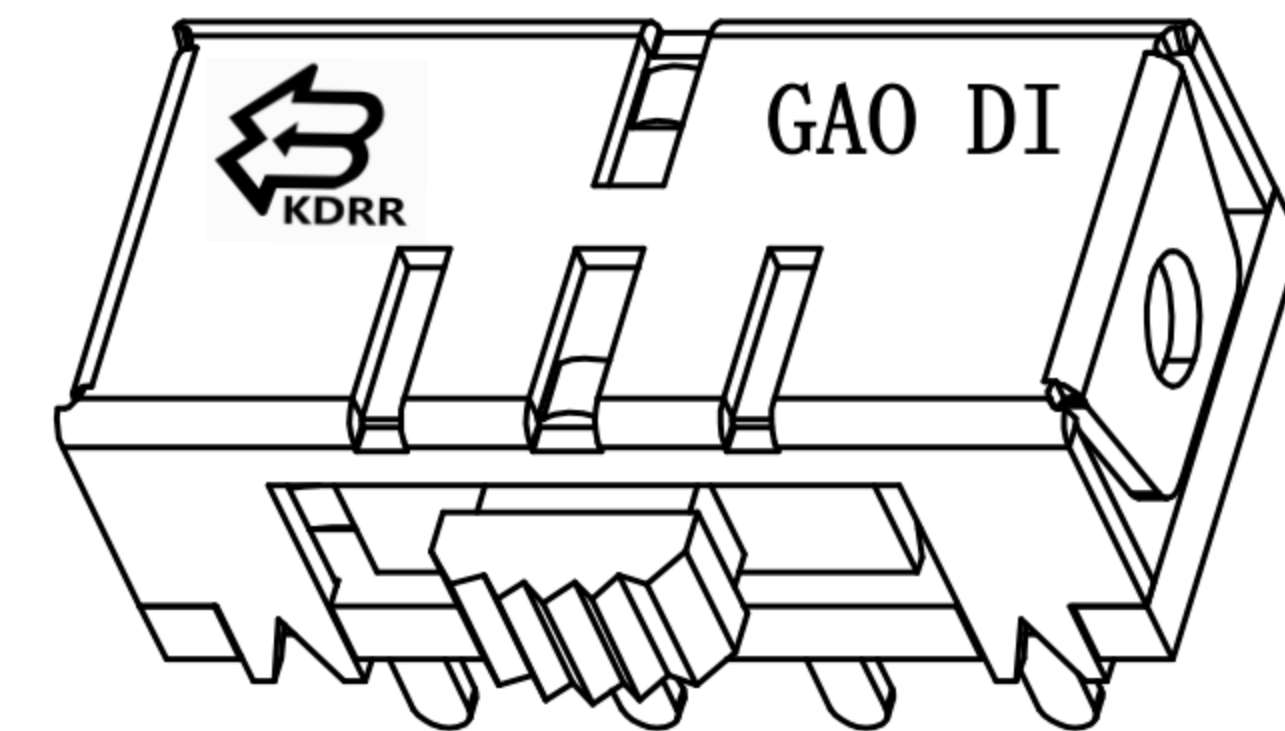
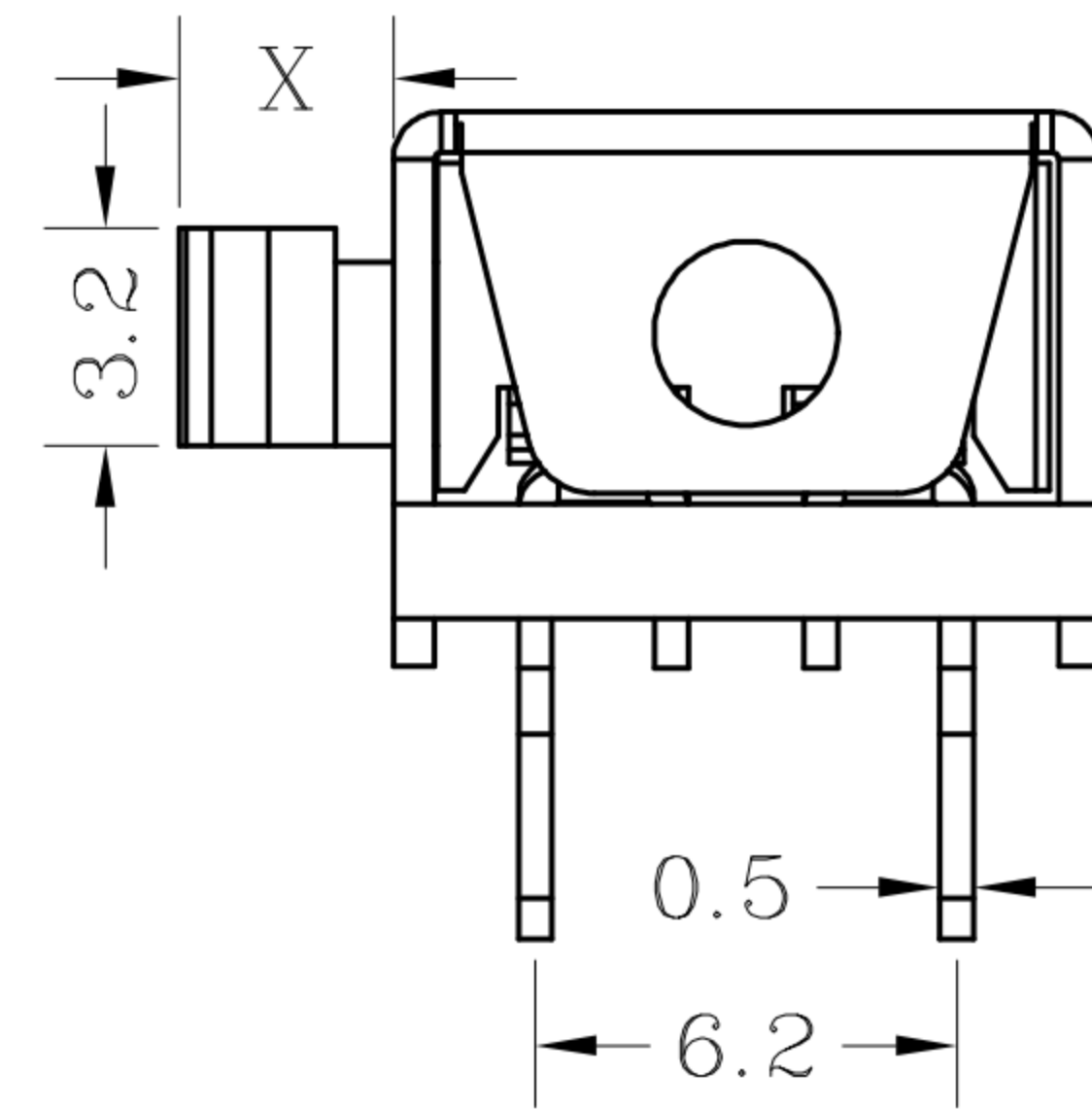
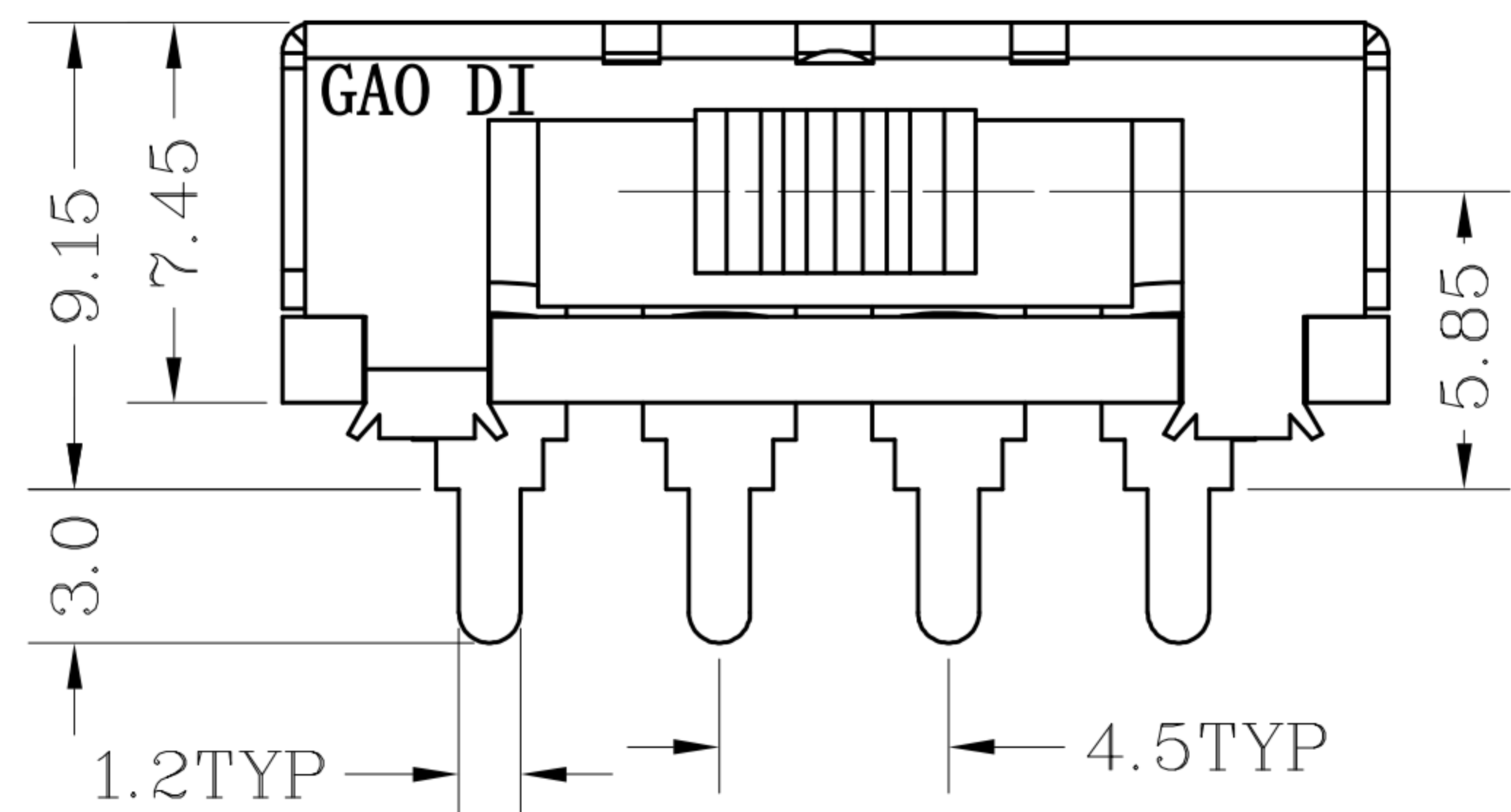


SCHEMATIC (NON-SHORTING)



1. 额定负荷: 3A 250V 6A 125V AC
2. 接触阻抗:  $\leq 50\text{m}\Omega$
3. 绝缘阻抗:  $\geq 100\text{m}\Omega$  DC500V
4. 耐焊温度:  $250 \pm 5^\circ\text{S}$
5. 使用寿命: 10,000 cycles
6. 使用温度:  $-25^\circ\text{C}$  to  $80^\circ\text{C}$
7. 使用湿度:  $\leq 85\% \text{ RH}$
8. 操作力: 450gf 可
9. 手柄长度: 2mm-10mm 可定制

6	CONTACT CLIP	BRASS STRIP	2	Ag PLATED
5	SPRING	STEEL WIRE	2	NATURAL
4	TERMINAL	BRASS STRIP	8	Ag PLATED
3	BASE	PHENOLIC RESIN	1	NATURAL
2	FRAME	STEEL STRIP	1	Ni PLATED
1	KNOB	PA66	1	BLACK
NO.	NAME	MATERIALS	Q'TY	REMARK

**东莞市高迪电子有限公司**  
DONG GUAN GAO DI ELECTRONICS CO., LTD

TOLERANCE UNLESS OTHERWISE STATED:  
 Up to 5  $\pm 0.2$   
 Above 5 ~ 15  $\pm 0.3$   
 Above 15 ~ 30  $\pm 0.4$   
 Above 30 ~ 50  $\pm 0.5$   
 Angle  $\pm 0.3^\circ$

3RD. ANGEL'S UNITS MM

DRAWN BY: Ming Ming Zou	DATE 07/23/13	MAT'L	TITLE SWITCH SERIES
CHECKED BY: Ning Ning Su	DATE 07/23/13	FINISH	MODLE SLIDE SWITCH
APPROVED BY: Jia Xiang	DATE 07/23/13	SCALE 1:1	DWG NO. GD-SK-23R02
SHEET NO. 1 of 1		PART NO.	SIZE A4
			VER R2

2	公差及料號更新	Jack	072313
1	圖面更新	Frank Wu	021012
ITEM NO.	DESCRIPTION	DRAWN	DATE